



# AC-10/200

## CORIOLIS FLOWMETER

### GENERAL FEATURES

Coriolis flowmeters offer the highest accuracy and repeatability, used in the flow and density measurement of liquids and mixtures. Coriolis flowmeters are the product range that offers the most accurate measurement for all fluids.

#### Advantages

- Mass flow measurement, volume flow measurement and density measurement are provided together.
- Its special design ensures unmatched measurement accuracy and measurement stability.

- Consistent and reliable measurement performance is ensured over the widest flow range.
- The product is designed to be easy to install and to minimize environmental



APPLICATIONS		
Precise Measurement at Low Flow	Process Control	HQ Precision Measurement
Measuring range from 9.6 kg/h to 120 kg/h Sweetener Production Bottle Filling Chemical Filling	kg/min - ton/h Truck Filling In-plant applications Leak detection Liquids containing chloride	Maintenance transfer up to 360 tons/h Tanker Filling Wagon Filling Pipeline Measurement Marine refueling Raw materials and fuel mixtures

## AC-10/200 CORIOLIS FLOWMETER



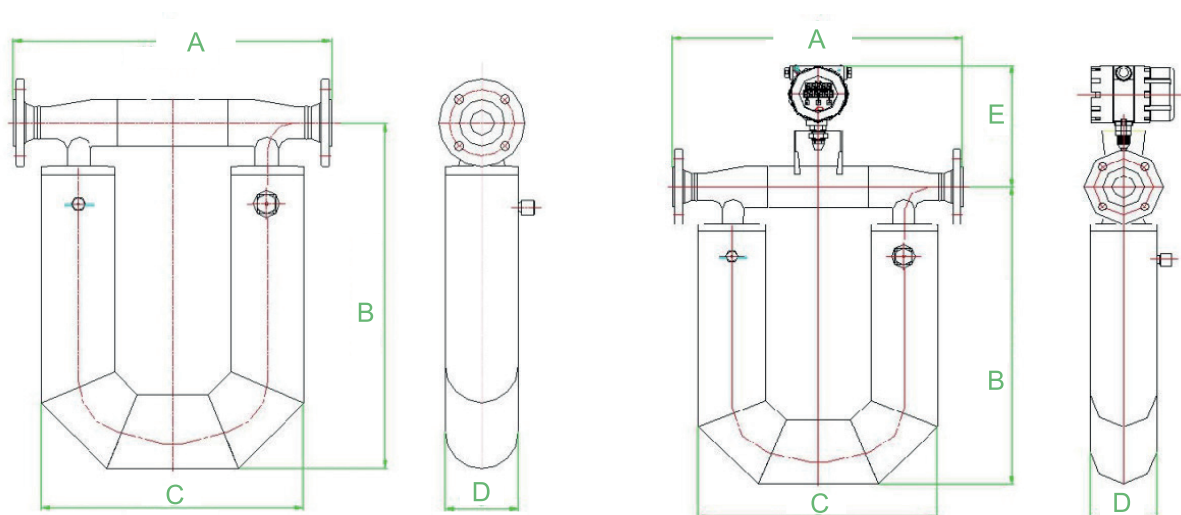
SENSOR PARAMETERS	
	±0.1-0.5%
	±0.1-0.25%
	±0.3-3 g/cm <sup>3</sup>
	±0.002 g/cm <sup>3</sup>
	-50 °C...+200 °C Standard - 200 °C...+300 °C Opt.
	-20 °C...+60 °C veyá -40 °C...+60 °C
	S316L
	SS304
	4.0MPa Standard
	Exd(ia) II C T6Gg

## TRANSMITTER PARAMETERS

	ALED-21	ALED-22 LCD	ALED-23 DIGITAL LCD
			
Working Principle	Analog Signal	Analog Signal	Digital Signal, MVD Technology, Better Sampling, Digital Filter
Flow Temperature	-200 °C...+300 °C	-200 °C...+300 °C	-200 °C...+300 °C
Ambient Temp.	-40 °C...+60 °C	-20 °C...+60 °C	-20 °C...+60 °C
Display Info	Mass Flow, Volumetric Flow, Density	Mass Flow, Volumetric Flow, Density	Mass Flow, Volumetric Flow, Density
Display	LED	LCD	LCD
Feed	24VDC/220VAC	24VDC/220VAC	24VDC/220VAC
Output	Pulse/4-20mA	Pulse/4-20mA	Pulse/4-20mA
Protocol	Modbus	Modbus/HART	Modbus/HART
Cover	Exd(ia) II C T6Gg	Exd(ia) II C T6Gg	Exd(ia) II C T6Gg

# AC-10/200 CORIOLIS FLOWMETER

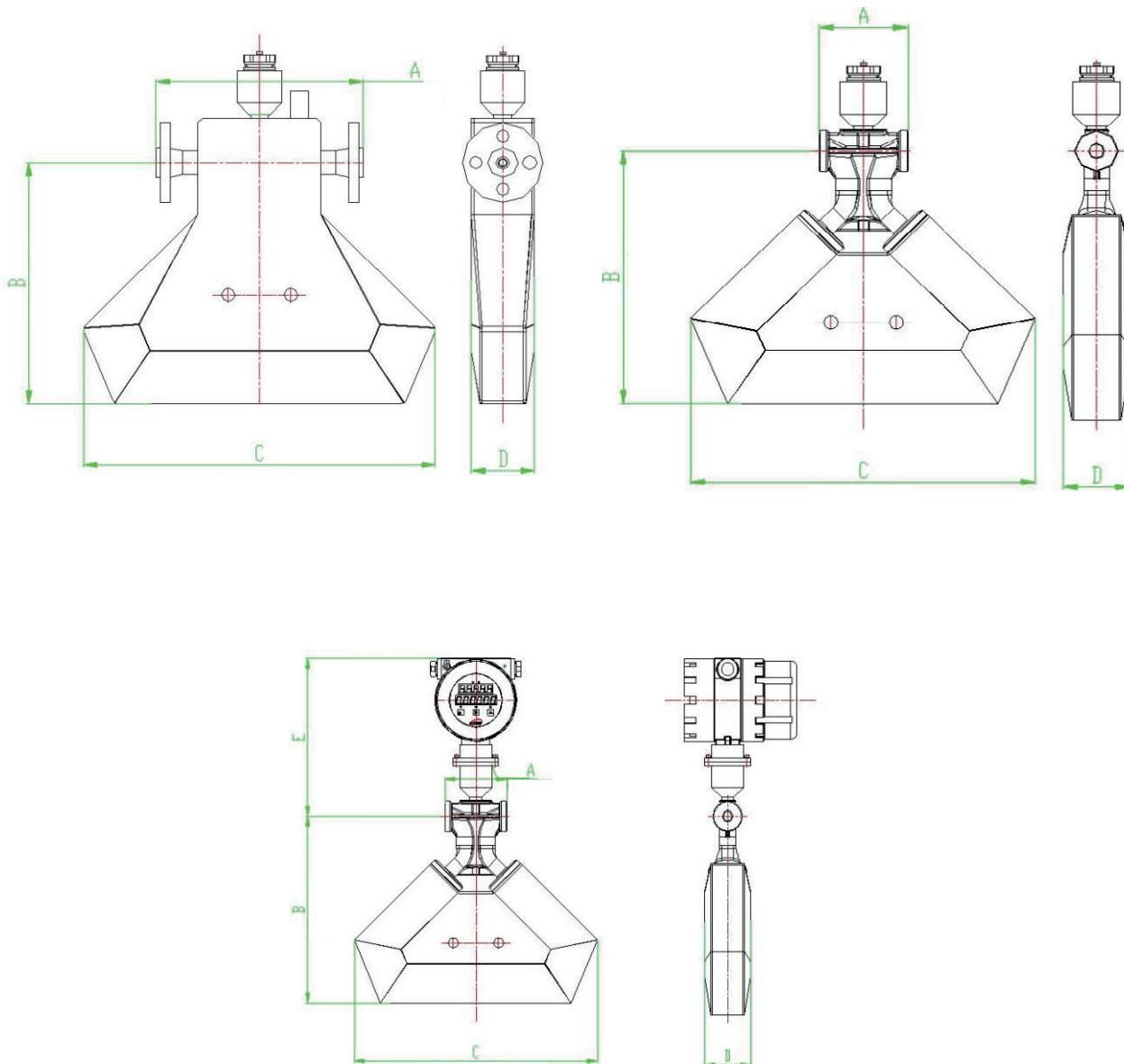
## DIMENSIONS



Model	A (mm)	B (mm)	C (mm)	D (mm)	E (mm)	NW (kg)
AC-010	450	324	380	60	236	7,2
AC-015	456	324	380	60	236	7,5
AC-020	540	478	468	108	245	17
AC-025	540	492	468	108	245	17,5
AC-032	544	517	468	108	245	24
AC-040	600	635	500	140	267	32
AC-050	606	653	500	140	267	36
AC-080	866	857	779	219	316	87,5
AC-100	950	977	833	273	340	165
AC-150	1300	1223	1144	324	340	252
AC-200	1300	1380	1220	400	358	350

# AC-10/200 CORIOLIS FLOWMETER

## DIMENSIONS



Model	A (mm)	B (mm)	C (mm)	D (mm)	E (mm)	NW (kg)
AC-010	196	176	250	54	270	4,8
AC-015	250	263	360	70,5	289	8,1
AC-020	250	275	395	70,5	289	8,2
AC-025	95	283	370	70,5	264	6,5
AC-032	95	302	405	70,5	264	6,5



#### HEAD OFFICE - MAIN FACTORY

Atatürk Sanayi Bölgesi Hadımköy Mahallesi  
Mustafa İnan Caddesi No: 44 Arnavutköy - İstanbul  
Tel: +90 212 771 01 45 (pbx) | Fax: +90 212 771 47 27  
info@ayvaz.com | www.ayvaz.com



Cona  
Caserta / Italy  
Tel : +39 0823 187 3988  
rmolaro@ayvaz.com



Ayvaz Ukraine  
Kiev / Ukraine  
Tel : +380 44 390 57 57  
info@ayvaz.com.ua



Tricorr  
Warsaw / Poland  
Tel : +48 530 030 810  
tricorr@tricorr.eu



Ayvaz Germany  
Viernheim / Germany  
Tel : +49 62046014399  
germany@ayvaz.com



Ayvaz Serbia  
Belgrade / Serbia  
Tel : +381 61 658 70 52  
yakbiyik@ayvaz.com



Ayvaz Azerbaijan  
Baku / Azerbaijan  
Tel : +99(455)579-84-32  
ahayatov@ayvaz.com



Ayvaz Kazakhstan LLP  
Almaty / Kazakhstan  
Tel : +7 (727) 327 97 57  
www.ayvaz.kz



Ayvaz N  
Isperih / Bulgaria  
Tel : +359 8431 27 32  
office@ayvaz-n.eu



Ayvaz Vietnam  
HCMC / Vietnam  
Tel : +84 89 8508345  
ggursoy@ayvaz.com



Ayvaz China  
Ningbo / China  
Tel : +86 152 5830 7361  
msahin@ayvaz.com



Ayvaz Egypt  
Cairo / Egypt  
Tel : +20 122 819 78 29  
andrew.eid@ayvaz.com



Ayvaz Gulf  
Dubai / U.A.E.  
Tel : +971 563550822  
+971 501306871  
mideast@ayvaz.com



Ayvaz Americas  
Rhode Island  
Tel : +1 401 737 8380  
americas@ayvaz.com